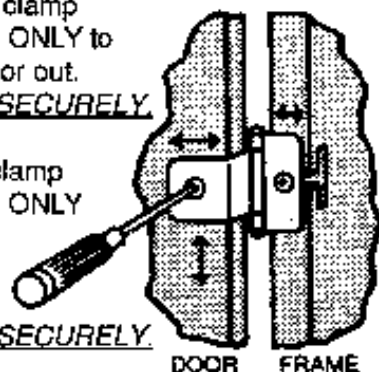


BRAKUR'S DOUBLE DEMOUNTABLE HINGE

TO ADJUST CABINET DOORS with Double Demountable Hinges

Loosen frame clamp
screw 1/2 turn **ONLY** to
adjust door in or out.
RETIGHTEN SECURELY.

Loosen door clamp
screw 1/2 turn **ONLY**
to adjust door
up or down,
right or left.
RETIGHTEN SECURELY.



To remove door,
loosen door or frame screw 2 turns.
TIGHTEN SECURELY WHEN REPLACING.

BRAKUR'S EUROPEAN HINGE

Three-way independent adjustment

A - Depth adjustment

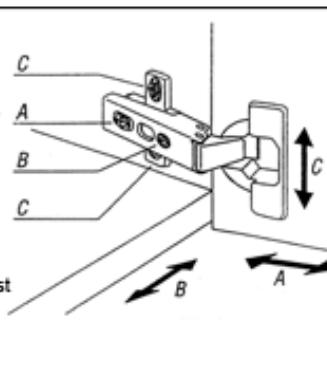
Loosen screw, adjust door to desired
position and retighten screw.
4mm (5/32") range.

B - Side adjustment

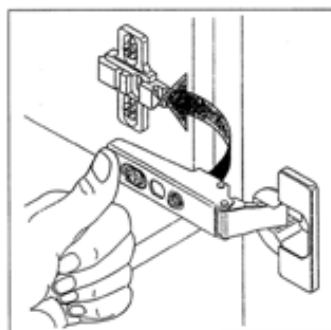
Turn screw, to increase or decrease
door overlay. 4mm (5/32") range.

C - Height adjustment

Loosen screw(s) on mounting plate, adjust
door and retighten screws. 4mm (5/32")
or 6mm (1/4") range, depending on
mounting plate.

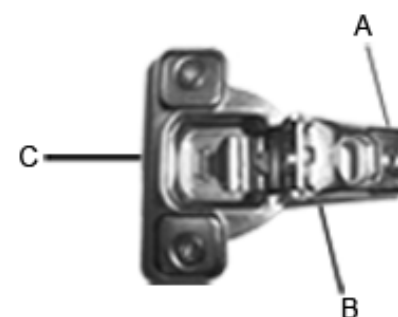


CLIP attachment



BRAKUR'S HIDDEN HINGE

TO ADJUST CABINET DOORS



A - Depth Adjustment

Turn this screw clockwise or counter-clockwise to
pull the door in and out from the frame of the cabinet.

B - Height Adjustment

Loosen this screw to move the door up or down, then
retighten the screw.

C - Side Adjustment

Turn this screw clockwise or counter-clockwise to
move the door to the left or right.